

# Combo Smart II Passport Reader

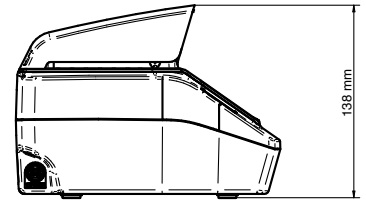
## Imaging

Active scan area	4.92" x 3.46" (125 x 88 mm)
Illumination sources	LED visible white, Infra-red (B900), Ultra-violet (UVA)
Provided images	Visible, IR, OVD image, glare-free image, UV image
Image formats	BMP, JPG, JPG2000, PNG
Image color depth	24 bits/pixels [RGB, 8 bits/pixels (IR image)]
Image resolution	500 PPI



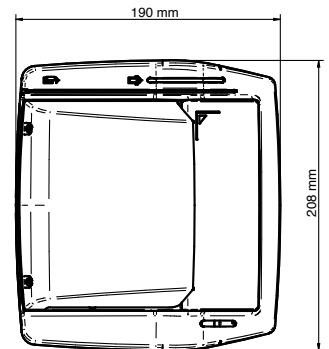
## Reading Capability

Automatic Document Detection (ADD)	YES
Reflection Removal (RR)	YES
Adaptive Light Control	YES
ICAO MRZ reading	ICAO compliant documents per ICAO 9303 specification Part 1, Part 1 <sub>v2</sub> , Part 2, Part 3 and Part 3 <sub>v2</sub> for Type ID-1, ID-2 and ID-3 MRZ Optical Character Recognition
VIZ reading option	Available with Adaptive Recognition VIZ OCR software
Barcode reading	1D: UPC-A, EAN8, EAN13, Code39, Code128 and Interleaved 2 of 5 (ITF) 2D: PDF 417, Data Matrix, QR Code, Aztec Code AAMVA compliant PDF417 and IATA BCBP



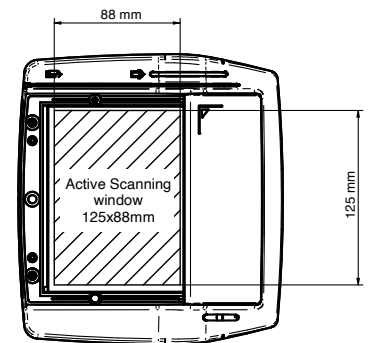
## Programming & Interfaces

Supported Operating Systems	Windows + Linux (ask for details)
Software Development Kit (SDK)	Complete SDK including DLLs and demo programs
Programming languages	C/C++, C#, Visual Basic 6.0, Delphi, VB.NET, Java
General interfaces	AR native, Twain and Acuant AssureID
Status indicators	Status LEDs
Advanced Document Authentication (included in standard SDK)	Data consistency checks: MRZ B900 and UV dull paper check,
Additional Authentication Options (available as optional SDK)	VIZ and non-ICAO document reading Automated verification based on document specific security features in visible white, IR and UVA
PC connection	USB 2.0 high speed (USB 3.0 compatible)
Firmware upgrade	Automatic, via USB



## Mechanical and Other Data

Size	7.48" x 8.19" x 5.43" (190 mm x 208 mm x 138 mm)
Weight	1.1 kg (2.4 lbs.)
Operating temperature	5 °C to 45 °C (45 °F to 113 °F)
Operating humidity	0-90 % (non-condensing)
Power supply	from USB (5 V DC)
Case housing	Sturdy ABS-PC plastic
Maintenance	No moving parts, maintenance-free operation
Warranty	3-year warranty, upgradeable



**3-year warranty**  
**Made in EU**

Technical specifications are subject to change without prior notice. This document does not constitute an offer.



[requestinfo@adaptiverecognition.com](mailto:requestinfo@adaptiverecognition.com)  
[www.adaptiverecognition.com](http://www.adaptiverecognition.com)

© Copyright Adaptive Recognition Inc.  
All rights reserved.

Release date: 21.05.2024.