

Vidar Speed – Cameras for Speed Measurement and ANPR

Imaging

	Vidar Speed 2xFHD LT	Vidar Speed 5MPhDx LT
Resolution	Sensor 1&2: 2048x1536	Sensor 1: 2432x2048 Sensor 2: 1440x1080
Max FPS	60 @ 1080p	45 @ 3MP on sensor 1 or 120 @ 720p on sensor 2
Sensor	Sensor 1 & 2: Color, Global Shutter	
Day/Night switch	Automatic brightness control with predefined traffic environments or manual	
Lens	Motorized zoom and focus, remotely adjustable	
Lens mount	Custom mount	
Angle of View	Optics 1&2: Wide: 26.5° x 20° Tele: 8.1° x 6.1°	Optics 1: Wide 25.1° x 21.3° Tele: 7.7° x 6.4° Optics 2: Wide: 55.7° x 43.2° Tele: 3.4° x 2.5°
Optical Zoom	Optics 1&2: 3.3x	Optics 1: 3.3x Optics 2: 18x
Focal length	Optics 1&2: Variable, 15 – 50 mm	Optics 1: Variable, 15 – 50 mm Optics 2: Variable, 4.8 – 84.6 mm

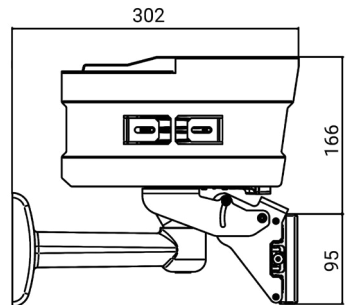
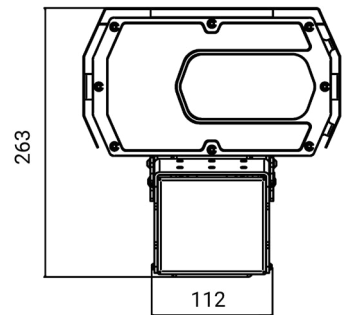


On-Board ANPR+MMR, powered by:



Distance ANPR Range

Optimal ANPR range at ambient light	15 m – 30 m (50 feet – 100 feet)	
Maximal ANPR range at optimal conditions	40 m (131 feet)	50 m (164 feet)
Maximum ANPR range at 0° lux*	35 m (115 feet)	
Vehicle speed range (at optimal conditions)	0 km/h – 320+ km/h / 0 mph – 199+ mph	
Maximum road width covered (at standard license plate size)	8 m (26 feet)	10 m (33 feet)
Maximum number of lanes	2	



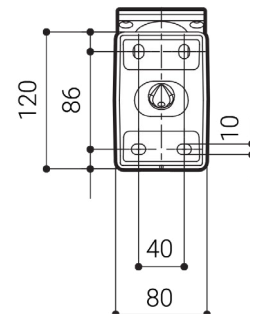
On-Board Intelligence

Carmen on-board ANPR	✓
ANPR Cloud compliant	Coming soon
GDS compliant	✓
MMR + Color	✓
Vehicle category	✓
Video analytics	License plate detection, vehicle direction detection, category
ADR Recognition	✓

* In the case of reflective license plates

Radar

Vehicle speed data	METAS-certified
Measurement range	0 – 320 km/h (199 mph)
Measurement accuracy	±1 km/h (0.6 mph) or ±1 % (the bigger of)
Object tracking	Position, direction, angle, speed
Measurement frequency	24 GHz*
Sample rate	75 ms
Maximum number of lanes covered	4
Maximum number of objects tracked simultaneously	64



*77 GHz variant is also available



3-year warranty
Made in EU

Technical specifications are subject to change without prior notice. This document does not constitute an offer



requestinfo@adaptiverecognition.com
www.adaptiverecognition.com

• dual motorized optics • high-performance 4-core ANPR processor • built-in laser trigger • MMR + color • up to 120 FPS
• reads reflective/non-reflective plates simultaneously • overview lens • direction detection • wealth of features
• 850 nm IR illumination • spectacular night-time performance • natively GDS-ready • vehicle categorization

© Copyright Adaptive Recognition Inc.
All rights reserved.

Release date: 07. 06. 2023

Vidar Speed – Cameras for Speed Measurement and ANPR

Illumination

	Vidar Speed 2xFHD LT	Vidar Speed 5MpHDx LT
Wavelength	850 nm	
Illumination modes	Synchronized or continuous	
Illumination beam-angle	22°	
Variable intensity	Adjustable in 100 increments, parity flash (different intensity for odd and even frames)	

Processing & I/O

ANPR Processing unit	ARM 64-bit Quad-Core @ 1.4 GHz	
Communication protocols	ONVIF, ARP, TCP/IP, DHCP, NTP, FTP, HTTP, RTSP, HTTPS, SFTP, DNS, SNMP, SSL/TLS, NTCIP	
I/O ports	12-pin (UART/GPIO/USB/RS232)	
In-built Laser Trigger	8 mRad Point Laser	
Laser wavelength & safety class	905 nm CLASS 1 (60825-1 2014)	
Radar for triggering	Optional, 77 GHz MultiLane Radar	
Certified vehicle speed data	Optional	

Storage

Internal storage size and type	32 GB* SSD	
Stored number of events (Internal)**	approx. 50000	approx. 40000
Event package size for external upload**	350 - 500 kB	400 - 550 kB
External storage type	FTP, SFTP, HTTP, HTTPS	

* Internal storage: max. 1 TB SSD (available upon request)
**With default settings

Electrical Data

Power requirement	24 - 28 V AC*, min. 2.5A	
Typical power consumption	24 W	26 W
Maximum power consumption	60 W	65 W

*36 V DC when a common ground is used with external illuminator

Mechanical Data

Operating temperature*	-45°C – +70°C (-49°F - +158°F)	
IP&IK rating	IP67, IK10 (additional accessory component required)	
Dimensions (with bracket) L x W x H	302 x 252 x 263 mm / 11.89" x 9.92" x 10.35"	
Weight (with bracket)	5.7 kg / 12.56 lbs	
In the box	Camera, radar, bracket, shield	

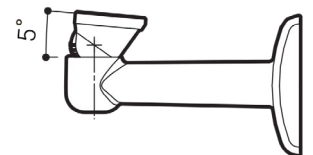
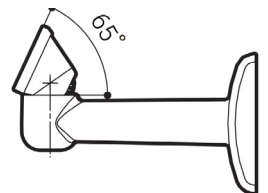
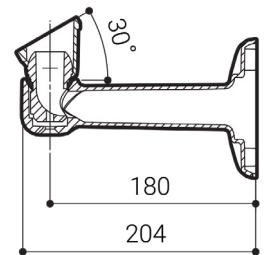
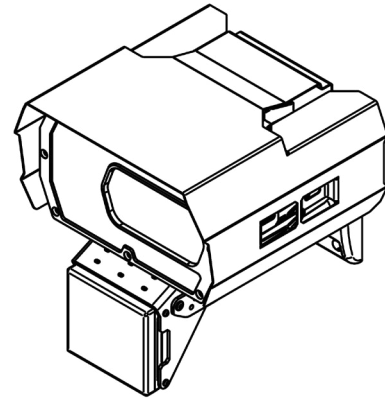
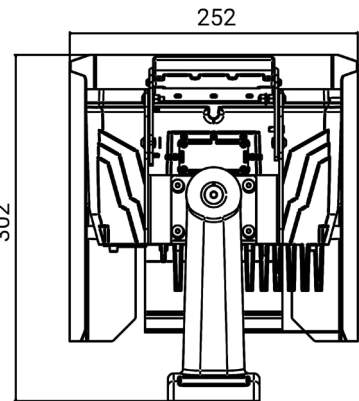
*Internal

Accessories

M12 power cable, Ethernet cable, Junction Box, External illuminator

Certificate

Made in EU, NDAA compliant



Technical specifications are subject to change without prior notice. This document does not constitute an offer

3-year warranty
Made in EU



requestinfo@adaptiverecognition.com
www.adaptiverecognition.com

• dual motorized optics • high-performance 4-core ANPR processor • built-in laser trigger • MMR + color • up to 120 FPS
• reads reflective/non-reflective plates simultaneously • overview lens • direction detection • wealth of features
• 850 nm IR illumination • spectacular night-time performance • natively GDS-ready • vehicle categorization

© Copyright Adaptive Recognition Inc.
All rights reserved.

Release date: 07. 06. 2023