

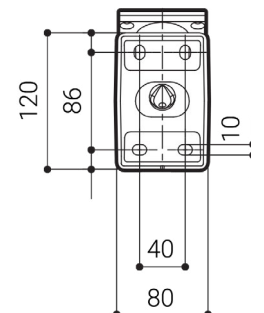
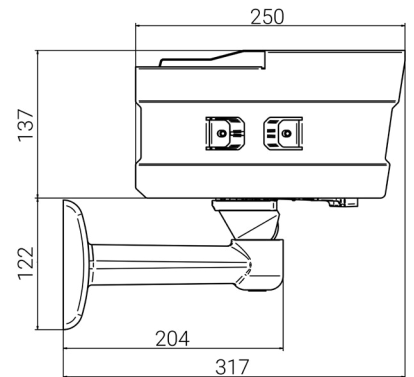
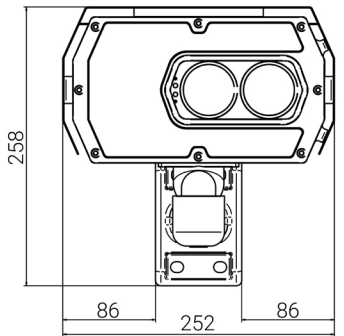
Vidar – ANPR/ALPR cameras for traffic monitoring



On-Board ANPR+MMR, powered by:



Imaging	Vidar HDx	Vidar Smart HDx	Vidar Smart 2xHDx LT	Vidar Smart 2xFHDx LT	Vidar Smart 5MPHDx LT
Resolution	1440 x 1080		Sensor 1&2: 1440x1080	Sensor 1&2: 2048x1536	Sensor 1: 2432x2048 Sensor 2: 1440x1080
Max FPS	120 @ 720p		120 @ 720p	60 @ 1080p	45 @ 3MP on sensor 1 or 120 @ 720p on sensor 2
Sensor	Color, Global Shutter		Sensor 1&2: Color, Global Shutter		
Day/Night switch	Automatic brightness control with predefined traffic environments or manual				
Lens	Motorized zoom and focus, remotely adjustable				
Lens mount	Custom mount				
Angle of View	Wide: 55.7° x 43.2° Tele: 3.4° x 2.5°		Optics 1&2: Wide: 55.7° x 43.2° Tele: 3.4° x 2.5°	Optics 1&2: Wide: 26.5° x 20° Tele: 8.1° x 6.1°	Optics 1: Wide 25.1°x21.3° Tele: 7.7° x 6.4° Optics 2: Wide: 55.7° x 43.2° Tele: 3.4° x 2.5°
Optical Zoom	18x		Optics 1&2: 18x	Optics 1&2: 3.3x	Optics 1: 3.3x Optics 2: 18x
Focal length	Variable 4.8 – 84.6 mm		Optics 1&2: Variable 4.8 – 84.6 mm	Optics 1&2: Variable 15 – 50 mm	Optics 1: Variable, 15 – 50 mm Optics 2: Variable, 4.8 – 84.6 mm



Distance ANPR Range

Optimal ANPR range at ambient light	4 m – 20 m (13 feet – 65 feet)	10 m – 20 m (33 feet – 65 feet)	
Maximal ANPR range at optimal conditions	50 m (164 feet)	40 m (131 feet)	50 m (164 feet)
Maximum ANPR range at "0" lux*	35 m (115 feet)		
Vehicle speed range (at optimal conditions)	0 km/h – 320+ km/h / 0 mph – 199+ mph		
Maximum road width covered (at standard license plate size)	6 m (20 feet)	8 m (26 feet)	10 m (33 feet)

* In the case of reflective license plates

On-Board Intelligence

Carmen on-board ANPR	-	✓	✓	✓	✓
ANPR Cloud compliant	soon	soon	soon	soon	soon
GDS compliant	✓	✓	✓	✓	✓
MMR + Color	-	✓	✓	✓	✓
Vehicle category	-	✓	✓	✓	✓
Video analytics	Image preselection (license plate detection)	License plate detection, vehicle direction detection, vehicle category			
ADR Recognition	-	✓	✓	✓	✓



Technical specifications are subject to change without prior notice. This document does not constitute an offer

**3-year warranty
Made in EU**



requestinfo@adaptiveRecognition.com
www.adaptiverecognition.com

• dual motorized optics • high-performance 4-core ANPR processor • built-in laser trigger • MMR + color • up to 120 FPS on selected models • reads reflective/non-reflective plates simultaneously • overview lens • direction detection • wealth of features • 850 nm IR illumination • spectacular night-time performance • natively GDS-ready • vehicle categorization

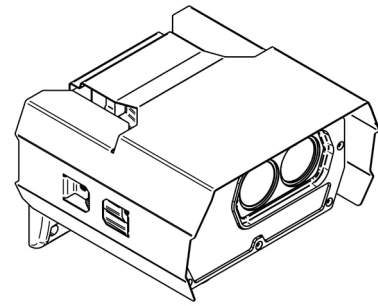
© Copyright Adaptive Recognition Inc.
All rights reserved.

Release date: 07. 06. 2023

Vidar – ANPR/ALPR cameras for traffic monitoring

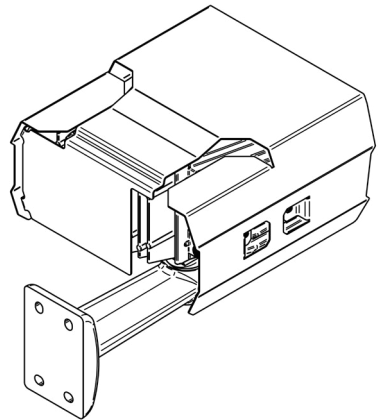
Illumination	Vidar HDx	Vidar Smart HDx	Vidar Smart 2xHDx LT	Vidar Smart 2xFHDx LT	Vidar Smart 5MpHDx LT
Wavelength	850 nm*				
Illumination modes	Synchronized or continuous				
Illumination beam-angle	22°				
Variable intensity	Adjustable in 100 increments, parity flash (different intensity for odd and even frames)				

*Other Vidar models are available with 760 nm (near infrared) and white built-in illumination as well



Processing & I/O

ANPR Processing unit	-	ARM 64-bit Quad-Core @ 1.4 GHz			
Communication protocols	ONVIF, ARP, TCP/IP, DHCP, NTP, FTP, HTTP, RTSP, HTTPS, SFTP (Smart models only), DNS, SNMP, SSL/TLS, NTCIP				
I/O ports	12-pin (UART/GPIO/USB/RS232)				
In-built Laser Trigger	-	-	-	8 mRad Point Laser	
Laser wavelength & safety class	-	-	-	905 nm CLASS 1 (60825-1 2014)	
Radar for triggering	-	-	-	Optional, 4D MultiLane Radar	
Certified vehicle speed data	-	-	-	Optional	Optional



Storage

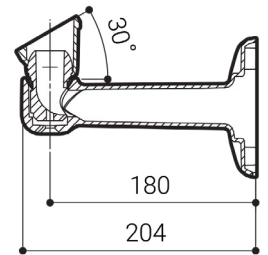
Internal storage size and type	-	32 GB* SSD			
Stored number of events (Internal)**	-	approx. 90000	approx. 90000	approx. 50000	approx. 40000
Event package size for external upload**	~ 200 kB	250 - 400 kB	250 - 400 kB	350 - 500 kB	400 - 550 kB
External storage type	FTP, HTTP, SMTP	FTP, SFTP, HTTP, HTTPS	FTP, SFTP, HTTP, HTTPS	FTP, SFTP, HTTP, HTTPS	FTP, SFTP, HTTP, HTTPS

* Internal storage: max. 1 TB SSD (available upon request)
**With default settings

Electrical Data

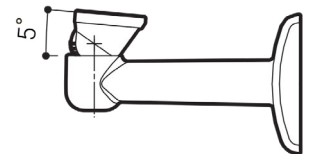
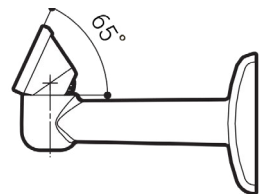
Power requirement	24 - 28 V AC*; min. 2A		24 - 28 V AC*; min. 2.5A		
Typical power consumption	11 W	18 W	20 W	20 W	20 W
Maximum power consumption	30 W	50 W	60 W	60 W	65 W

*36 V DC when a common ground is used with external illuminator



Mechanical Data

Operating temperature*	-45°C – +70°C (-49°F - +158°F)				
IP&IK rating	IP67, IK10 (additional accessory component required)				
Dimensions with bracket (LxWxH)	250 x 252 x 258 mm / 9.84" x 9.92" x 10.16"				
Weight	4.5 kg / 9.92 lbs				
In the box	Camera, bracket, shield				



Accessories

M12 power cable, Ethernet cable, I/O Cable, 4D MultiLane Radar, Junction Box, External IR-light

*Internal

Certificate

Made in EU, NDAA compliant



**3-year warranty
Made in EU**

Technical specifications are subject to change without prior notice. This document does not constitute an offer



requestinfo@adaptiverecognition.com
www.adaptiverecognition.com

© Copyright Adaptive Recognition Inc.
All rights reserved.

• dual motorized optics • high-performance 4-core ANPR processor • built-in laser trigger • MMR + color • up to 120 FPS on selected models • reads reflective/non-reflective plates simultaneously • overview lens • direction detection • wealth of features • 850 nm IR illumination • spectacular night-time performance • natively GDS-ready • vehicle categorization

Release date: 07. 06. 2023