

VIDAR high-power White LED Illuminator

Light characteristics

	White WIDE LED External Illuminator with Diffuser	White LED External Illuminator
Wavelength	white	
Illumination mode	impulse driven (flashing)	
Flash intensity	adjustable, 60 LEDs	
Maximum range	3 meters (10 feet)	30 meters (100 feet)*
Beam angle	approx. 120°	30°

*under optimal circumstances

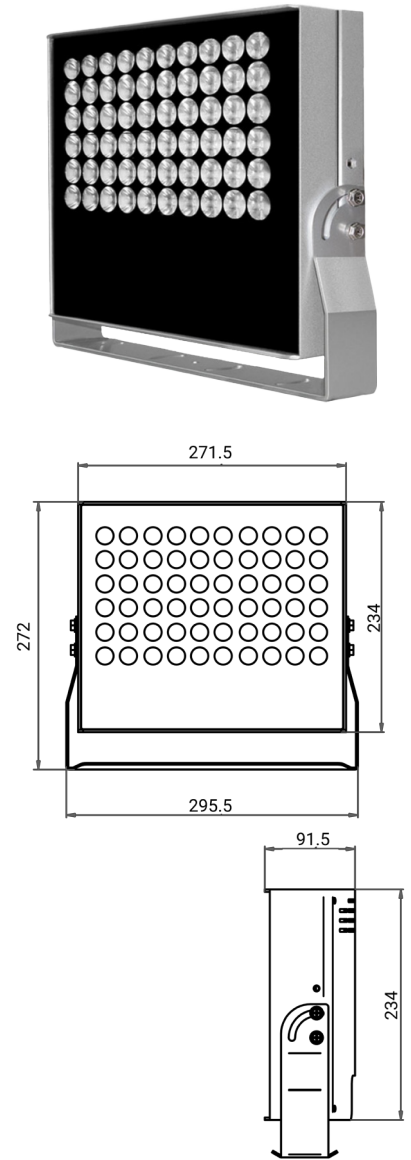
Operation

Power	36 V DC* @ 60W
Protection	IP 66
Operating temperature	-25°C – +60°C (-13°F – +140°F)
Weight	3.6 kg (bracket: 0.5 kg)

*When VIDAR is powered with 36 V DC, power supply can be shared between the illuminator and the camera - however in this case, a common ground is required (power supply not included)

Applications

For applications - typically Container Code Recognition, Railway Code Recognition or Commercial Vehicle Code Recognition - where the recognizable code is closer than 3 meters or 10 feet.	ANPR application, where night-time vehicle color recognition is a must.
The diffuser prevents to overexpose the monitored object from a close distance.	Auxiliary light component, constructed to illuminate the vehicle and its surroundings in a glare-free way, preventing excessive reflections and the overexposure of unnecessary details.

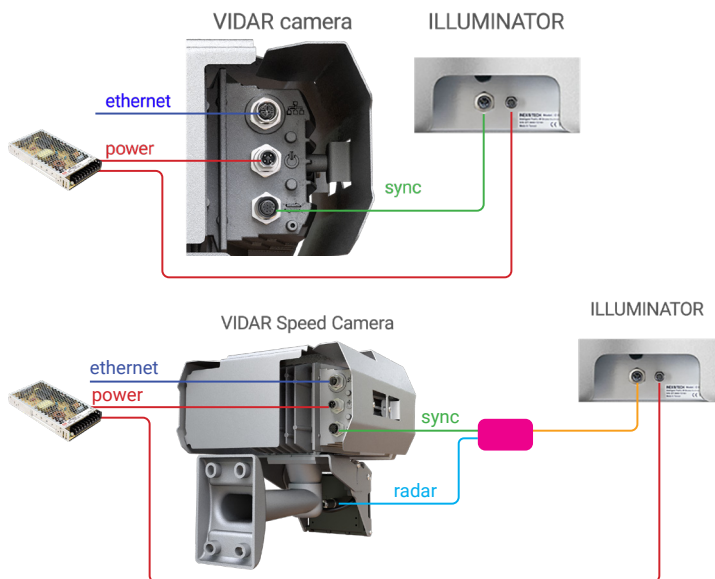


Accessories included

Bracket, M12 Power cable (5 m), GPIO cable (2 m)
In case of Vidar Speed offering, different cable type applies.

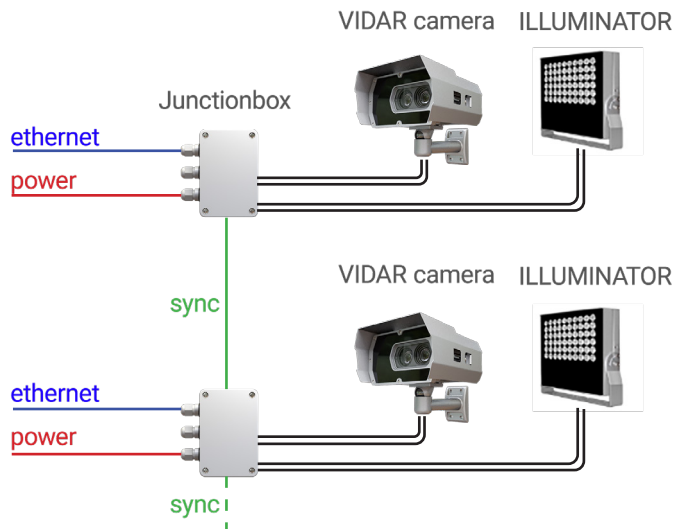
Standalone operation

single camera & illuminator



Clustered operation

multiple devices in synchronous operation



Technical specifications are subject to change without prior notice. This document does not constitute an offer. This product comes with a 1-year warranty.



requestinfo@adaptiverecognition.com
www.adaptiverecognition.com

© Copyright Adaptive Recognition Inc.
All rights reserved.

Release date: 22.07.2024.