

## Lynet M504 – On-the-move ANPR+MMR (PoE+) compact camera



Imaging	Lynet M504 Zoom (Wide)	Lynet M504 (Tele)
Maximum resolution (HxV pixels): framerate	2472x2048 (5 Mpx) : 30 fps	
Shutter	Color, Global Shutter	
Day/night switch	Light sensor, configurable quick auto-switching day/night mode, automatic brightness control	
Lens	Motorized zoom and focus, remotely adjustable	fixed
Focal length	3-8 mm	12 mm
Optical zoom	2.6x	-
Angle of View (HxV)	Zoom min.: 68° x 51° Zoom max.: 38° x 28.5°	31° x 21°

On-Board ANPR+MMR, powered by:



Custom sensor configurations (e.g., resolution, color or b/w), optics (zoom or fix, focal length, etc.) and filters (IR-band, IR-Cut, All Pass, and Polarized) are available upon request.

### Distance Range

Optimal ANPR range at ambient light or at 0 lux	2 m – 15 m (6 feet – 50 feet)	5.5 m – 18.5 m (18 feet – 61 feet)
---	-------------------------------	------------------------------------

ANPR range can be tailored with different lens and sensor combinations to meet specific project requirements.

### Illumination

Wavelength	850 nm (infrared)	
Illumination modes	Synchronized flash (can pass sync signal to external units)	

Any required wavelength (white, 760nm IR, 850nm IR, etc.) even mixed with different beam-angles are also available upon request.

### Processing & I/O

Processing unit	ARM 2 x 2.2 GHz + 6 x 1.8 GHz	
Communication protocols	ONVIF, API, NTP, TCP/IPv4, DHCP, DNS, FTP, SFTP, HTTP, HTTPS, RTSP, SNMP	

### Electrical Data

Typical / Maximum Consumption	8 W / 15 W	
Power requirement	PoE+ (IEE 802.3at)	
Connectivity	Power&Data: 1 x M12, X-coded, 8-pin (female) GPIO: 1 x M8, 4-pin (female)	

### On-Board Intelligence

CARMEN® ANPR	Included	
CARMEN® Make and Model, Color Recognition	Included	
Video analytics	Included	
Trigger sources	Plate finder (built in analytics), External Software trigger (through IP), Hardware-based (through GPIO port)	
GDS compliant	Yes	
Data storage	128 GB (integrated), ~ 35 000 event	

Additional AI-based features can be enabled for selected projects.

### Mechanical Data

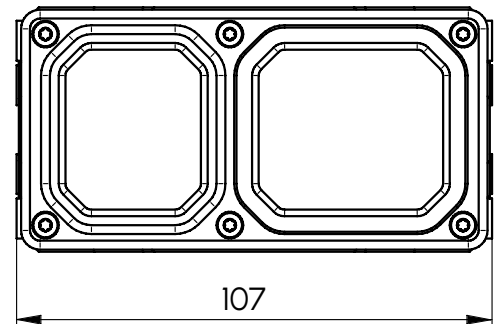
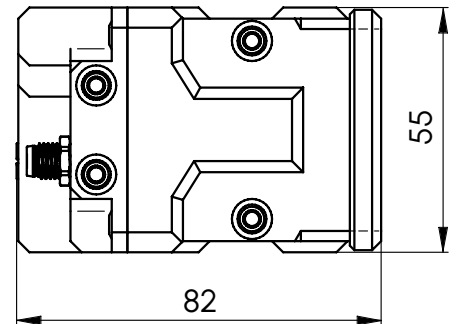
Internal operating temperature	-45 °C – 70 °C (-49 °F – 158 °F)	
Dimensions L x W x H	82 mm x 107 mm x 55 mm (3.2" x 4.2" x 2.2")	
Weight without bracket	0.6 kg (1.3 lbs)	

### Accessories

Accessories	RJ45-M12X (Ethernet&Data) cable, M8 (GPIO) cable, shield options, bracket options, magnetic roof mount	
-------------	--	--

### Certificates

Certificate	CE, FCC, RoHS, NDAA compliant	
-------------	-------------------------------	--



**3-year warranty**  
**Made in EU**

Technical specifications are subject to change without prior notice. This document does not constitute an offer. For any specific requirements beyond our standard products, custom configurations are available. Please contact our sales team to discuss your project needs and explore tailored solutions. We are happy to help.

