

Enforce BOX - add traffic violation detection to your system

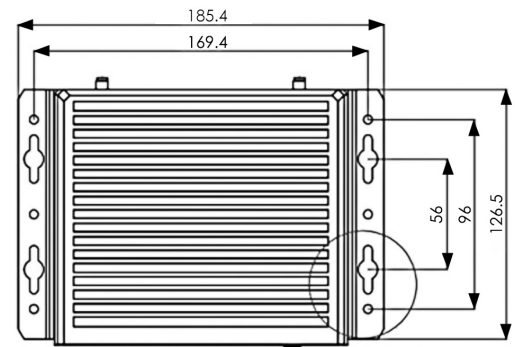
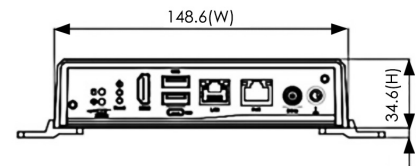
Intelligent Video Analytics

Detectors	Red Stop - Detection of vehicles crossing during red traffic light
	Stop Violation - Detection of vehicles failing to stop at the STOP traffic sign
	Emergency Lane - Detection of emergency lane usage by unauthorized vehicles
	Wrong Way - Detection of vehicles moving in the wrong direction on a specific traffic lane
	Forbidden Zone - Detection of vehicles crossing through a restricted area
	Wrong Turn - Detection of illegal turn of vehicles
	Stopped Object - Detection of the presence of a stopped vehicle within a specific area
	Traffic Line - Detection of vehicles crossing a user-specified line drawn across specific lanes
	U-turn - Detection of vehicles making a U-turn where it is prohibited
	White Line - Detection of vehicles crossing solid or double centerline.
	Motion - Detection of movement in a selected area
	Lane - Detection of driving on a lane where it is not permitted



Interface

Input stream	Camera stream protocols: RTSP
	Camera stream format: H.264
Output stream	Max. supported resolution: 5 MP
	The output stream is the same as the input stream (no transcoding)
Output formats	HTTP/HTTPS/FTP/SFTP upload
	Data stream through API
	Internal database on web interface
	GDS upload
Output data	Device ID
	Violation detector type and ID
	Time stamps
	JPEG image (two images in case of ANPR data received from Vidar/Einar cameras)
	MP4 video length: min. 2 sec, max. 12 sec
Data storage requirements	Optional: with Vidar/Einar cameras, ANPR and MMR (Make, Model and Color recognition) data could be added to events. Please ask for further details.
	8 GB storage for 1000-2000 events included, 4-8MB per event
GUI	512 GB storage for 50-100.000 events could be optionally added
	Running on any standard browser, easy to adjust
Connected applications	Globessey Data Server (GDS): Middleware for data management (incl. statistics) from multiple Enforce BOX, Carmen® BOX, and other devices (license required).
	Harbard Discovery Tool: Essential detection tool for identifying the IP addresses of Enforce BOX and Carmen® BOX devices in a network. Suitable for license updates and uploads.



General Information

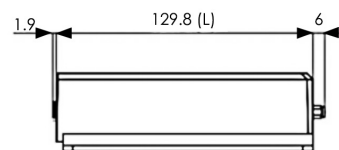
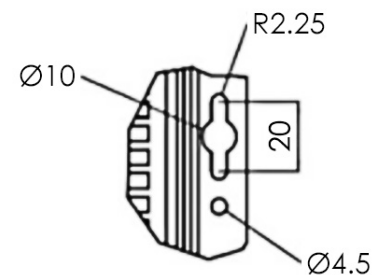
Hardware key (NNC)	Built-in mini-PCIe card
Engine update availability	One year from purchase included, optional subscription available on yearly basis
Platform	NVIDIA® Jetson Nano™'s GPU-accelerated
Connectivity	LAN x2 (1 pcs PoE 15 W)
Storage options	8 GB microSD card included, user-changeable up to 512 GB, external USB3 drives (not included) can also be added.

Electrical Data

Power requirement	12V 5A DC (60W); 100-240V/50-60Hz power supply with EU plug included
Power consumption typical	15 W (without POE power up)

Mechanical Data

Internal operating temperature	-30°C – +60°C (-22°F – +140°F)
Dimensions without wall mounting kit (LxWxH)	129.8 x 148.6 x 34.6 mm (5.11" x 5.85" x 1.36")
Weight	1 kg (2.20 lb)
In the box	Enforce Box device, power supply (12V 5A), wall mounting kit



Certificates

Certificate	CE, FCC Class A
-------------	-----------------

Technical specifications are subject to change without prior notice. This document does not constitute an offer.



requestinfo@adaptiverecognition.com
www.adaptiverecognition.com

© Copyright Adaptive Recognition Inc.
All rights reserved.

Release date: 05. 05. 2023