

## Carmen® Box - add ANPR+MMR data to any (existing) camera system

Powered by: **CARMEN®**



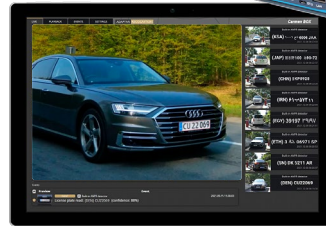
**ANPR RESULTS:**

PLATE TEXT: ✓ CU 22 069  
 COUNTRY: ✓ DENMARK  
 LANE: ✓ 1

**CU 22 069**

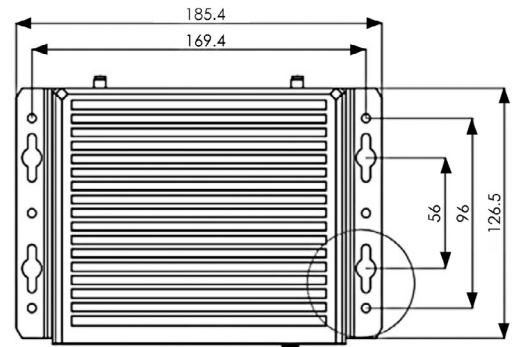
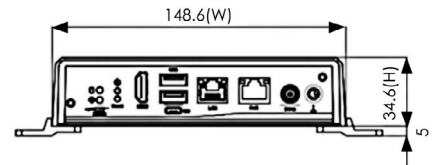
**MAKE & MODEL RESULTS:**

MAKE: ✓ AUDI  
 MODEL: ✓ A8  
 COLOR: ✓ GRAY  
 CATEGORY: ✓ CAR  
 DIRECTION: ✓ APPROACHING



### Interface

Input stream (one stream / Carmen® BOX)	Camera stream protocols: RTSP Camera stream format: H.264 Supported resolution: up to 5MP
Output stream	The output stream is the same as the input stream (no transcoding)
Output formats	HTTP/HTTPS/FTP/SFTP upload Data stream through API Internal database on web interface GDS upload
Output data	Device ID ANPR data: Number plate data in UNICODE text, Location of each plate on one image, Country/State MMR data (make, model, color), Vehicle direction / Lane information (certain camera position) Time stamps JPEG event image, Background color, Character color, Category of the plate
Data storage requirements	1000 – 2000 events 8 GB storage (included), 4-8 MB per event 50 000 – 100 000 events require 512 GB storage (optional)
GUI	Running on any standard browser, easy to adjust
Trigger	Multiple trigger options: Triggerless, Software-based, Hardware-based
Connected applications	Globessey Data Server (GDS): Middleware for data management (incl. statistics) from multiple Carmen® BOX, Enforce BOX, and other devices (license required). Harbard Discovery Tool: Essential detection tool for identifying the IP addresses of Carmen® BOX and Enforce BOX devices in a network. Suitable for license updates and uploads for multiple devices.



### General Information

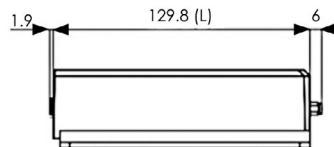
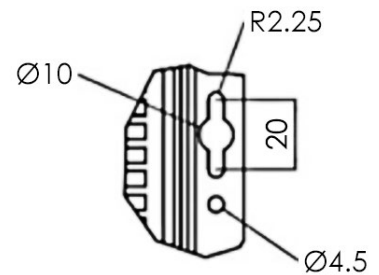
<b>ANPR Engine</b>	<b>On-Board Carmen® ANPR+MMR</b>
Engine update availability	Included: 1 year from purchase Optional: Subscription available on a yearly basis
Hardware key (NNC)	Built-in mini-PCIe card
Platform	NVIDIA® Jetson Nano™'s GPU-accelerated
Connectivity	LAN x2 (1 pcs PoE 15 W)
Storage options	8 GB microSD card included, user-changeable up to 512 GB external USB3 drives (not included) can also be added
Data storage requirements	8 GB storage for 1000-2000 events included, 4-8MB per event 512 GB storage for 50-100.000 events could be optionally added

### Electrical Data

Power requirement	12V 5A DC (60W); 100-240V/50-60Hz power supply with EU plug included
Power consumption typical	15 W (without POE power up)

### Mechanical Data

Internal operating temperature	-30°C – +60°C (-22°F – +140°F)
Dimensions without wall mounting kit (LxWxH)	129.8 x 148.6 x 34.6 mm (5.11" x 5.85" x 1.36")
Weight	1 kg (2.20 lb)
In the box	Carmen® Box device, power supply (12V 5A), wall mounting kit



### Certificates

Certificate	CE, FCC Class A
-------------	-----------------

Technical specifications are subject to change without prior notice. This document does not constitute an offer.



requestinfo@adaptiverecognition.com  
 www.adaptiverecognition.com

© Copyright Adaptive Recognition Inc.  
 All rights reserved.

Release date: 05. 05. 2023