

ENFORCECAM

IP CAMERA WITH ON-BOARD DETECTORS TO MAINTAIN RULE OF THE ROAD
INTELLIGENT INDUSTRIAL CAMERA FOR COMPLEX TRAFFIC ANALYTICS



TRAFFIC MONITORING CAMERA

Human attention is a valuable resource. EnforceCAM has been developed to ideally assist traffic authorities in the daily work of maintaining the rule of the road. Its purpose is to optimally increase traffic safety by automatically spotting traffic violations. EnforceCAM automatically spots traffic violations including wrong way driving, solid line crossing, bus lane or emergency lane use and driving through red traffic lights and closed railroad crossings. User defined traffic violations can also be detected – thanks to the customizable and configurable traffic violation solution. Image-based AID (Automatic Incident Detection) is done via advanced video analytics. Efficient and uninterrupted operation is guaranteed by EnforceCAM's onboard detectors, built-in motion tracking, extendible inner data storage capacity, IR illumination – all safely protected in a sturdy IP67 housing. Remote access guarantees the convenient use of the camera's enforcement functions without the need to be personally present in critical traffic locations. EnforceCAM is covered by a 3-year warranty.



MAIN BENEFITS

- AID – Automatic Incident Detection
- Customizable enforcement functions such as solid line crossing, wrong-way driving, red light crossing, improper lane use and the use of closed railroad crossings
- Remote access
- Durable IP67 housing

TOWARD THE FUTURE IN SAFETY – SINCE 1991

SPECIFICATIONS

ENFORCECAM

- integrated LED illumination • video analytics by onboard processor • user-defined event detection • customizable traffic enforcement options

CAMERA

Image sensor	Aptina 3 MP 1/3" , WDR
Sensitivity	Day/Night: 0.65 lux / 0.01 lux / 0 lux
Shutter time	1/6 s – 1/20,000 s
Day/night mode	True
WDR mode	True (100 dB)
Lenses	3-10.5 mm, motorized focus/zoom

IR ILLUMINATION

IR wavelength	850 nm
Number of LEDs	8
Flash time	Software adjustable, up to 950 µs
Power consumption	Max. 6 W
IR illumination distance	50 m

IMAGING

Resolution	4:3: 2048x1536, 1920x1440, 1280x960; 640x480 16:9: 2048x1152, 1920x1080, 1280x720, 640x360	
Frame rate	Normal Mode: H.264 4:3: 25 fps (2048x1536), 30 fps (1920x1440), 40 fps (1280x960) H.264 16:9: 35 fps (2048x1152), 40 fps (1920x1080), 45 fps (1280x720)	ECO mode: H.264 4:3: 15 fps (2048x1536), 18 fps (1920x1440), 25 fps (1280x960) H.264 16:9: 20 fps (2048x1152), 24 fps (1920x1080), 32 fps (1280x720)
Image settings	Brightness, Contrast, Gamma, Saturation, Sharpness, Noise Filtering, White balance (5 presets), Operation mode (gain/exp preference), Exposure control, Gain control, Anti-flickering (50 Hz/60 Hz), Backlight compensation (adjustable zones), Software WDR mode, Day/Night mode (Auto/Day/Night), Day/Night mode preference, Image Mirroring	
Encoder settings	Codec Type, Quality, I-frame Distance, Resolution, Frame Limit, Reduced Frame Rate Control, Bandwidth Limit, Pre- and Post-alarm	

NETWORK

Protocols	NTP, TCP/IPv4, DHCP, DNS
Security	Camera User Name and Password

CAMERA SOFTWARE

Motion detection	64 polygon per mask, 8 masks, All masks with adjustable sensitivity and motion percent parameters, Separated motion detector for monitoring and for recording
------------------	---

INTERFACE

Ethernet	10 BaseT/100 BaseTX, RJ-45
Reset button	Reset To Factory Defaults (IP Address Reset)
SD-card slot	Fix eMMC memory, 64GB External SD card slot - YES Internal SD card slot - OPTIONAL

INTELLIGENT VIDEO ANALYTICS

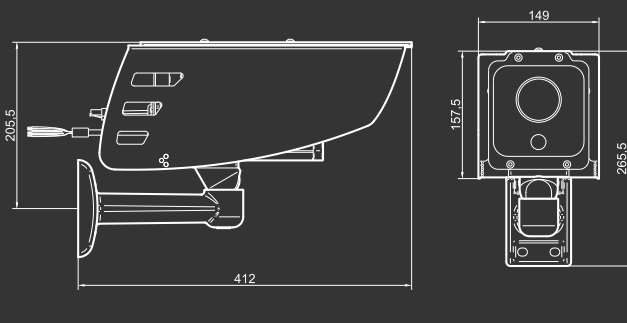
Detectors	Motion Detector
	Tampering detectors: Covering detection, Rotation detection
Traffic intelligence	RedStop detector
	EmergencyLane detector
	ForbiddenZone detector
	WhiteLineViolation detector
	WrongTurn detector
	Stop detector
Object tracker	UTurn detector
	WrongWay detector
	64 polygon for masking, Object behavior settings, Day-time/Night-time sensitivity, Environmental settings

GENERAL

Environmental protection	IP67
Operating conditions	-40 °C – +55 °C (-40 °F – 131 °F)
Input Voltage	24 V – 28 V AC / 34 V – 38 V DC
Power consumption	Max. 21 W
Weight (with bracket)	4.7 kg (10.4 lbs)
Certificates	CE: EN 55022, EN 55024, RoHS, FCC compliant

COMPRESSION

Video compression	H.264 – Hierarchical P encoding
Bit rate	500 Kbps – 18 Mbps
Streaming	Intello Video Streaming, Dual streaming over RTSP



Technical specifications are subject to change without prior notice. This document does not constitute an offer.

ADDRESS: ALKOTAS UTCA 41, H-1123 BUDAPEST, HUNGARY, EU
 PHONE: +36 1 201 9650 • FAX: +36 1 201 9651
 WWW.ARH.HU • EMAIL: SENDINFO@ARH.HU